

HELI-PLASI 2000

Pulse Light Approach Slope Indicator



OPERATION & INSTALLATION MANUAL

Manual Number PLG003

5 October 2000

**APPLICABLE TO
DA500098-1, DA500098-2, DA500099-3, DA500099-4
HELI-PLASI 2000 SYSTEMS**



DEVORE AVIATION CORPORATION
ALBUQUERQUE, NEW MEXICO, USA **OF AMERICA**

SECTION I - INTRODUCTION

1.0 Receiving Your System 6

1.1 Purpose 6

1.2 Description of System 6

1.2.1 Single Approach Path - Fixed Legs System 7

1.2.2 Multiple Approach Path - Turntable Mounted System 7

1.2.3 Projection Signal 8

1.2.4 Failsafe Systems 9

1.2.5 Additional Design Features 9

1.3 Notification to Agencies of HELI-PLASI 2000 Installations 9

SECTION II - HELI-PLASI 2000 LOCATION CRITERIA

2.0 HELI-PLASI 2000 Location Criteria 10

2.1 Location of HELI-PLASI 2000 10

2.1.1 Single Approach Path System - Fixed Legs 10

2.1.2 Multiple Approach Path System - Turntable Mounted 10

2.1.3 Elevated Heliports 11

2.2 Determining Obstruction Clearance 11

2.3 Glide Path Angle 11

-2.4 Angular Alignment 11

2.5 Aiming 12

SECTION III - INSTALLATION

3.0 HELI-PLASI 2000 Installation 12

3.1 Electrical Requirements 12



3.1.1	Power	12
3.1.2	Wire Size	12
3.1.3	Electrical Connections	12
3.1.3.1	Fixed Leg Installation	13
3.1.3.2	Turntable Installation	13
3.2	Support Pad	13
3.2.1	Location	13
3.2.2	Construction	13
3.2.3	Attachment Hardware	14
3.3	Mounting	14
3.3.1	Fixed Leg System	14
3.3.2	Turntable System	15
3.4	Indexing Procedure	17
3.5	Aiming	18
3.5.1	Lateral Leveling of HELI-PLASI 2000	18
3.5.2	Vertical Aiming	19
3.5.3	Checking Accuracy of HELI-PLASI 2000 Projection	19
3.6	Operational Check and Final Adjustment	20
3.6.1	Lamp Installation	20
3.6.3	Operation	21
3.7	HELI-PLASI 2000 System Operational Controls	21
3.7.1	Manual Control	21
3.7.2	Remote Manual Control	22



SECTION IV - FEATURES

4.0	HELI-PLASI 2000 Standard Features	22
4.1	Voltage Limiter	22
4.2	Automatic Night Dimming	22
4.3	Tilt Switch	23
4.4	Pulse Detector	23
4.5	Automatic Lamp Changer	23
4.6	Heaters	23

FIGURES

Figure 1	Signal Format	24
Figure 2	HELI-PLASI Signal Projection	25
Figure 3	Typical HELI-PLASI Installation at Airport	26
Figure 4	Typical HELI-PLASI Installation at a Heliport	27
Figure 5	HELI-PLASI 2000 Electrical Installation Recommended Wire Size from 120 VAC Source	28
Figure 6	HELI-PLASI 2000 Electrical Installation Recommended Wire Size from 240 VAC Source	29
Figure 7a	Voltage Limiter	30
Figure 7b	Voltage Limiter/Control Module Location	31
Figure 8	System Components	32
Figure 9	HELI-PLASI 2000 System Installation (Pad Mount)	33
Figure 10	HELI-PLASI 2000 System Installation, (Turntable)	34
Figure 11	J1 Wiring Diagram	35
Figure 12	J2 Wiring Diagram	36
Figure 13	HELI-PLASI 2000 Turntable Wiring Diagram	37



Figure 14	HELI-PLASI 2000 Control Panel	38
Figure 15	Aiming, Lateral and Vertical	39
Figure 16	Aiming, Bubble Level and Vernier Scale	39
Figure 17	Aiming, Vernier Scale	40
Figure 18	Voltage Test Positions	41
Figure 19	Heater Locations	42



HELI-PLASI 2000 SYSTEM Pulse Light APPROACH Slope INDICATOR

OPERATING AND INSTALLATION INSTRUCTIONS

SECTION I - INTRODUCTION

1.0 Receiving Your System

Thank you for purchasing DeVore Aviation's state-of-the-art single box helicopter visual approach aid. Upon receipt of the HELI-PLASI 2000 system, please inspect all containers and parts for shipping damage. Report any shipping damage to the carrier and file the required claims. Review packing slips and contents to assure all components of the system have been received. A copy of the manufacturer's acceptance testing for the system should be included with the paper work. Contact DeVore Aviation Corporation of America, Product Support Dept., immediately if any components are missing or if you have any questions regarding the installation or operation of your HELI-PLASI 2000 system. Use the contact numbers and addresses on the front of this manual.

1.1 Purpose

This document contains the information necessary to install and operate the HELI-PLASI 2000 visual approach aid. The installation and operational information herein covers both the fixed leg installation for single approach path heliports and the HELI-PLASI 2000 mounted on an automatic rotatable base (turntable) for multiple approach path heliports.

For maintenance and service information, refer to the Maintenance/Service Manual.

Some installation details are left to the judgement of the installer, since local conditions, space limitations, obstructions, type of heliports, and local codes are significant factors. Local electrical codes, length of power lines, desired location of outlets, etc., are items of an individual nature which can only be described in a general way. It is the responsibility of the installer and heliport operator to ensure that all local and country codes and regulations are complied with.

1.2 Description of System

The HELI-PLASI 2000 is a single box, ground installed, self-contained device which, without any helicopter installed devices, projects a signal for vertical glide path information including on-glide path, high and low signals, providing obstacle clearance and reduced noise approaches. The pilot receives this information with minimum need for analysis and interpretation.

The range of the HELI-PLASI 2000 provides for an easy helicopter adjustment to a steady state glide path position for a desired touch down at the heliport.



1.2.1 Single Approach Path - Fixed Legs System

Due to prevailing winds, location and heights of buildings and other objects in the area, or for environmental considerations, there may be only one approach / departure path for a heliport. For a single approach path installation, the HELI-PLASI 2000 unit is mounted on fixed legs. Each leg contains a frangible fitting designed to break away and minimize damage to an aircraft that may strike the unit.

1.2.2 Multiple Approach Path - Turntable Mounted System

For heliports with multiple approach paths, the HELI-PLASI 2000 can be mounted on an automated turntable. The system can be turned on and oriented to different approach paths by direct wire control from a control box unit, by the optional radio control system, or at the turntable unit itself. Direct wire control permits the setting of four different approach paths and five intensity settings using a manual rotary switch. Radio control allows the setting of three different approach paths.

The automated turntable is a low profile precision tracking platform for the HELI-PLASI 2000. The turntable is driven by power from a nominal 120VAC power source, with a rotational speed of 1.3 RPM and is designed for sustained outdoor all weather operation.

Remote manual control of the unit can be accomplished by direct wire control from the tower or operations office by using the remote turntable control unit. The remote turntable control unit turns the system on and off and provides a manual approach path selector switch with four approach path positions and five intensity settings.

The optional radio control system allows the approaching pilot to remotely turn on the HELI-PLASI 2000 unit and line it up with any of three pre-selected approach paths by keying the aircraft microphone on the proper radio frequency 3 times, 5 times, or 7 times in a five second interval. This action will turn on the HELI-PLASI 2000 unit and activate the rotatable base to turn the HELI-PLASI 2000 to the selected approach path. The rotatable base will lock in the selected position and the HELI-PLASI 2000 will operate for 30 minutes after which it will automatically shut off.

Note: For safety, the HELI-PLASI 2000 shuts off while the turntable is in transit from one heading to the next and restarts when the turntable stops at the selected heading.

The automated turntable contains an integral control panel located in the base of the turntable. This panel contains switches and controls which allow the setting of the approach paths and is used during the initial set up and installation. In normal operation, this panel is not used and the RADIO/OFF/MANUAL switch should be left in the RADIO position.



The turntable indexing to the desired approach path is controlled by an electronic controller board located within the turntable. The controller is able to drive the rotating table clockwise or counterclockwise, and continuously monitors the table position with the feedback from an encoder mounted on the turntable motor. When power is applied to the turntable, the rotating table turns clockwise until the controller detects the zero reference mark. The table then stops if no heading has been programmed into the turntable, or moves to the selected preprogrammed heading. Selection of a specific preprogrammed heading, either by radio or manual control, starts the turntable rotating in either the clockwise or counterclockwise direction until the controller determines that the table is aligned with the pre-set approach path. The table direction is whichever one does not need to cross the zero reference. After the initial homing sequence, the table will not seek the zero reference again until power is removed. The pre-set headings are stored in non-volatile memory on the controller board and are set to the desired direction by means of the controls located in the turntable pedestal. The headings may be pre-set at the factory to customer request or set on site at the time of installation as described in this manual. Since the approach headings may be re-set using the controls in the turntable control panel, a key lock is provided on the control panel door for security. Knowledge of the procedure to change headings is needed to do so, which provides additional security.

1.2.3 Projection Signal

From the landing pilot's view, the HELI-PLASI 2000 generates and projects four horizontal bands of light, only one of which can be seen by the pilot at a given instant. Both the upper and lower bands are pulsing bands created by the unit's pulse generator system. See Figure 1 and Figure 2.

Above Glide Path: An upper band of white light pulsing at approximately 2.25 pulses per second is an angular wedge 2.5° high by 16° wide which gives above glide path indication. The apex of the projected wedge emanates from the HELI-PLASI 2000 unit.

On Glide Path: The center band is a steady white light projected as a 0.60° high angular wedge, by 16° wide. This center band defines the correct glide path.

Slightly Below Glide Path: In between the steady white on glide path signal and the pulsing red below glide path signal is a solid red sector of 0.30° height by 16° width. This is the slightly below glide path signal.

Below Glide Path: A lower band of pulsing red light projects a 5.0° vertical by 16° wide wedge and provides the below glide path information.

The visual presentation is accomplished through the use of optical components, moveable shutters, a white and red filter and a tungsten halogen projector lamp.



The rate of change of pulse length provides rate of deviation from or rate of closure with the glide slope.

1.2.4 Failsafe Systems

The HELI-PLASI 2000 system is a "failsafe" design which ensures that any malfunction of the beam projection system will not result in an incorrect signal being displayed to approaching helicopters.

There are three potential failure modes of the projected signal.

The first is loss of power to the unit or the projector lamp, which will result in complete loss of signal with no hazard.

The second is failure of the pulse generator drive system and resulting loss of one or both pulse signals. This type of failure will be detected by electronic sensors (pulse detectors) and the unit will shut down, resulting in complete loss of signal with no hazard.

The third failure is if the unit is knocked out of alignment. The tilt switch will be activated and will shut down the unit, resulting in complete loss of signal with no hazard. The tilt switch is pre-set at the factory on the inclinometer arm and requires no adjustments.

Corrective actions for the type of failures given above can be found in the HELI-PLASI 2000 Service and Maintenance Manual number PLF003, Trouble Analysis Chart.

1.2.5 Additional Design Features

To maximize lamp/projection reliability, the unit is designed with a voltage limiter for lamp voltage control, a photo detector to reduce lamp voltage for nighttime operation and a four-position changer which automatically rotates a new lamp into place upon the failure of the lamp in use. The unit is also equipped with heaters for cold weather operation. For more information on these features, see section IV.

1.3 Notification to Agencies of HELI-PLASI 2000 Installations

Any installations of HELI-PLASI 2000 units in the United States at public use heliports or helicopter landing areas on airports should be reported to the following:

National Flight Data Center
AAT430
Washington, D.C. 20591.

Installations should also be coordinated with the appropriate FAA Flight Standards Regional Office in the geographical areas of the planned installation.



For installations outside of the United States, the installing agent should coordinate the HELI-PLASI 2000 installation with their local Civil Aviation Agency

SECTION II - HELI-PLASI 2000 LOCATION CRITERIA

2.0 HELI-PLASI 2000 Location Criteria

2.1 Location of HELI-PLASI 2000

The exact location of HELI-PLASI 2000 on the heliport site will vary depending on the type and physical layout of the heliport, the location and number of approach paths, and other variables such as adjacent structures, lighting systems, taxiways, etc.

The HELI-PLASI 2000 should normally be located outside of the omnidirectional perimeter lights of the helipad and in a position to minimize interference with ground maneuvering and flight operations.

Each HELI-PLASI 2000 installation will differ depending on site conditions but user safety and aerospace compatibility shall be prime considerations. Consult the controlling Civil Aviation Authority for any requirements regarding helicopter visual approach aids.

2.1.1 Single Approach Path System - Fixed Legs

For a single approach path, the HELI-PLASI 2000 should be permanently located in a fixed position at the rear half of the helipad, relative to the approach path and aligned outward into the approach path on a line parallel to the approach heading within +/- 0.5°.

For this type of fixed installation, the HELI-PLASI 2000 is mounted on frangible support legs and the legs are bolted to a concrete slab as described in Section III.

2.1.2 Multiple Approach Path System - Turntable Mounted

For a multiple approach path, the HELI-PLASI 2000 mounted on the turntable should be located such that it can be readily oriented to each of the helipad approach paths and have an obstruction free path for beam projection as defined in paragraph 2.2 for each approach path. Figures 3 and 4 show typical HELI-PLASI installations at heliports having multiple approach paths.

To the extent possible, the system should be located in the rear half of the heliport relative to the approach paths, particularly the primary approach path.

The HELI-PLASI 2000 is mounted to the rotating platform of the turntable with the three threaded stud assemblies provided with the system. The turntable is then bolted to the concrete slab as described in Section III.



2.1.3 Elevated Heliports

For elevated heliports where space limitations present a siting problem, the unit may be located at any convenient location that does not present a hazard.

2.2 Determining Obstruction Clearance

A major consideration in installing the HELI-PLASI 2000 at a heliport site is insuring that the approach paths on which the HELI-PLASI 2000 signal will be utilized are clear of obstructions. It is necessary to identify the location and height of critical objects in the approach path by necessary surveys, or from local authorities (Figure 2).

With all the obstructions identified within the 16° wide beam spread, plot the approach path on a profile map. A line should be drawn from the proposed location of the HELI-PLASI 2000 at an angle to clear the highest obstacle by not less than 1.3 degrees*. This line will then establish:

(a) An obstruction clear surface 8° on both sides of the approach path centerline and extending outward into the "Heliport Approach Surface".

(b) The minimum aiming angle of the HELI-PLASI 2000.

*1.3 degrees has been determined from half the angle of the on course signal plus 1 degree.

2.3 Glide Path Angle

The visual glide path angle for helicopters is normally set at 6°, or the angle specified by the heliport operator. This angle may be increased up to 12° maximum to provide an obstruction clear surface, if so determined per paragraph 2.2.

The commissioned angle should be specified in a NOTAM and also published in the Airmans Information Manual for installations in the USA. For installations in other countries, contact the appropriate regulating authority for civil heliports.

The HELI-PLASI 2000 unit can be adjusted for approach angles from one (1) to twelve (12) degrees.

2.4 Angular Alignment

The HELI-PLASI 2000 shall be aligned outward into the approach path on a line parallel to the approach path centerline within a tolerance of +/- 0.5° for approaches where no obstacle clearance problems exist.

If obstructions intrude into the HELI-PLASI 2000 beam near the outer edge of the beam, then it is permissible to offset the HELI-PLASI 2000 up to +/- 3° to provide lateral obstacle clearance.



2.5 Aiming

The HELI-PLASI 2000 should be aimed at the desired glide path angle and should be set to within plus or minus three minutes of the established vertical aiming angle. Reference installation details in paragraph 3.5 Aiming.

Aiming angle can be increased up to a maximum of 12° if required to clear obstructions per Figure 2.

SECTION III - INSTALLATION

3.0 HELI-PLASI 2000 Installation

3.1 Electrical Requirements

3.1.1 Power

The HELI-PLASI 2000 is placarded for 120 VAC, 50 or 60 Hz and a maximum required power of 1.4 KW. The actual continuous daytime power required is 1110 watts, and the night time required power is 811 watts.

The unit must be supplied with a nominal 120 volts $\pm 10\%$, 50 or 60 Hz, single phase alternating current. If an increase in voltage is required at the unit to meet the nominal voltage, a buck-boost transformer may be installed in the power line to increase voltage by up to 25%.

3.1.2 Wire Size

Figures 5 and 6 provide recommended wire sizes for 120 volt or 240 volt power sources for various run distances. All wire sizes should be compatible with power transmission and voltage drop requirements.

To reduce wire size, higher voltages may be utilized, and then a step-down transformer installed at the HELI-PLASI 2000 site to reduce voltage to the required nominal 120 VAC $\pm 10\%$.

3.1.3 Electrical Connections

This paragraph is to be performed after the HELI-PLASI 2000 is installed on its support pad.

Note: If required by local codes, a "breakaway" type plug and receptacle connector may be installed. The installation should be at the ground exit point of the main power cable near the unit. Connectors shall conform to FAA Advisory Circular AC150/534526, Specification for L823 Plug and Receptacle, Cable Connectors. (See FAA Advisory Circular AC150/53451 for listing of approved connectors).



3.1.3.1 Fixed Leg Installation

The power, neutral and ground wires are routed up through the service feed-through in the base plate. The power (120VAC) and neutral leads are electrically connected to their respective studs as identified on the terminal block. The ground lead is secured to the ground stud just forward of the terminal block. See Figure 18.

All internal components are grounded to the HELI-PLASI 2000 base plate. For proper safety, a ground lead must be attached internally to the ground stud. If a ground lead is not routed with the incoming power lines a local ground rod may be used to provide the unit with a proper ground.

3.1.3.2 Turntable Installation

The turntable system is provided with a 9 ft. power cable P/N DA2602-1. This is a three conductor cable with the turntable mating connector on one end.

Connect the cable to the incoming power as follows:

CABLE DA2602-1	INCOMING POWER LINES
BLACK CONDUCTOR	120VAC
RED CONDUCTOR	120V NEUTRAL
BLUE CONDUCTOR	GROUND

If an incoming ground lead is not routed with the incoming power lines, a local ground rod may be used to provide the unit with a proper ground.

3.2 Support Pad

If the helipad or an adjacent structure meets the minimum requirement, it may be used as the support pad.

3.2.1 Location

The exact location for the HELI-PLASI 2000 support pad should be determined per Section II and should be designed for stability based on local soil and weather conditions.

3.2.2 Construction

The generally accepted support pad for most conditions where permafrost is not a problem is a concrete slab 6 to 8 inches thick and extending a minimum of 12 inches (30 cm) outside the HELI-PLASI 2000 housing. The 12 inch (30 cm)



extension is to provide a margin of protection from moving vehicles. Attach hardware should be imbedded in the slab as required per paragraph 3.2.3.

Where permafrost is a concern, integral piers extending two feet below the permafrost line should be used to stabilize the 6 to 8 inch thick concrete slab.

Reference Figure 9 DeVore drawing DA500099 for details.

3.2.3 Attachment Hardware

The positioning of the attach hardware into the concrete is critical. Reference Section II for the correct horizontal angular alignment (paragraph 2.4).

If an existing structure is to be used, the HELI-PLASI 2000 fixed leg and turntable mounted system must be attached to the existing structure with an equivalent retention system as described below.

The system requires four (4) "L" or "J" support studs per frangible leg embedded about 4 inches (10 cm) into the concrete slab at the time the slab is poured. (See Figure 7.) Another method of attachment would be to position the unit as desired, drill holes in the concrete and insert anchor bolts.

The turntable should first be indexed as described in paragraph 3.4 for all approach paths. The hardware should then be located in the concrete slab with the turntable mounted system set to and aiming along approach path 1. The turntable can also be secured by positioning the turntable as desired, drilling holes in the concrete and inserting threaded anchor studs. Approximately 3 - 4 inches (75 - 100 mm) of threaded rod is needed for adjustment and locking nuts above and below the turntable base.

3.3 Mounting

3.3.1 Fixed Leg System

The HELI-PLASI 2000 is attached to the concrete slab by three support legs, as shown in Figure 9. Each leg contains a frangible fitting designed to break away and minimize damage to any aircraft that may accidentally strike the unit.

Note: Legs shown in Figure 9 are for standard environmental (average) conditions. If additional leg height is required, due to more critical terrain or snow conditions, longer legs can be supplied upon request. The installer may cut leg extensions locally from standard 2 inch diameter electrical metal tubing (EMT).

1. Place the mounting flange of each support leg over the pre-installed support studs or position the legs as desired, drill holes in concrete and insert anchor bolts.
2. Install attach hardware and tighten all nuts to secure the legs.



3. Remove the top nut and washer (one of three) from each support leg.
4. Reposition the remaining two nuts on each support leg mid way along the legs threaded section.
5. Carefully set the HELI-PLASI 2000 unit on the support legs inserting the threaded section of each leg through the appropriate holes in the units base.
6. Install washers and nuts on the support studs. Hand tighten only.
7. The unit is now in position for final aiming adjustment as described in paragraph 3.5 Aiming.

3.3.2 Turntable System

The HELI-PLASI 2000 mounted on a turntable is attached to the concrete slab with the three attach holes in the base of the turntable as shown in Figure 10.

1. Determine the location where the HELI-PLASI 2000 will be installed at the heliport site as per instructions contained in Section II.

CAUTION: The zero index of the turntable is approximately aligned with door side of the triangular base of the turntable. Be sure that none of the desired approach headings are within +/- 5.0 degrees of the ZERO INDEX when positioning and attaching the turntable. See paragraph 3.4 Indexing.

2. Provide electrical power to the selected site as outlined in paragraph 3.1, Electrical Requirements.
3. Install the HELI-PLASI 2000 on the threaded turntable leg assemblies.
4. If the turntable was not indexed at the factory, program the approach paths into the turntable in accordance with paragraph 3.4 Indexing.
5. Set the turntable to approach path 1 and bolt it to the support pad.

CAUTION: Lift the HELI-PLASI/turntable system by the turntable table or base and NOT by the HELI-PLASI itself.

6. Level the turntable. Ensure when leveling the system that the bubbles are centered in both turntable bubble levels for each of the approach directions with the unit set and locked at the approach angle selected. Reference paragraph 3.4(6).
7. Aim and level the HELI-PLASI 2000 unit per instructions in paragraph 3.5, Aiming.
8. Provide a nominal 120V +/-10% power to the selected site and wire power to the turntable in accordance with paragraph 3.1.



9. Connect the cable between the turntable and the HELI-PLASI 2000, (cable part number DA500946-1).
10. Apply electrical power to the system and accomplish a complete operational check of the system as follows:
 - A) In HELI-PLASI 2000, set Circuit Breaker to "On"; and the Control Selector Switch to "Remote" position (switches are inside HELI-PLASI 2000 unit, Figure 14).
 - B) In the Manual Control Unit (P/N DA500970-1), turn the switch to the "On" position. Power indicator lights will illuminate and HELI-PLASI 2000 unit will turn on (turntable must be stopped at one of the approach headings for HELI-PLASI 2000 to turn on).

For HELI-PLASI 2000 systems without the manual control unit, control the system using the turntable control panel.

- C) Rotate the "Approach Path" switch (rotary switch) to one of the headings preset into the turntable. The turntable will rotate and stop at the pre-programmed headings. Note that the HELI-PLASI 2000 shuts off while turntable is in transit from one heading to the next and restarts when turntable stops at selected heading. Select each pre-programmed heading in turn using the rotary switch to check that the headings are correct.

The above procedures accomplish a complete operational check of the system.

11. At the Manual Control Unit, turn off the power switches to shut off the systems. Temporarily disconnect the main electrical power source going to the system (safety precaution).
12. Permanently install the Manual Control Unit at its selected location, i.e., control tower, operations office, or at heliport site. Install permanent cables (not provided with the system) in place of the removed cables.
13. After permanently installing all equipment and interconnect wiring, reconnect the main electrical power source to the system.
14. Turn the system on at the main power switch and again complete an operational check of the system.
15. After satisfactory completion of system tests, the unit is ready for operation.
16. System usage:
 - A. Remote Manual Control of System.
 - 1) Turn "Approach Path" switch (rotary switch) to the desired



approach heading. The turntable and HELI-PLASI 2000 will rotate and stop at the selected heading.

- 2) When power is not interrupted and another approach direction is selected, the HELI-PLASI 2000 will turn directly to the new heading. Remember, the unit does not operate while the turntable is in transit.

Note: Every time the turntable is powered up, it will always turn clockwise to the ZERO INDEX point first to establish its orientation.

3.4 Indexing Procedure

Note: If the HELI-PLASI 2000 approach headings have been preset at the factory, the indexing procedure is not required and the turntable should be installed per paragraph 3.3, HELI-PLASI 2000 and Powered Turntable Installation Procedure.

Programming the HELI-PLASI 2000 Preset Headings to provide Turntable Indexing:

1. Determine the location where the HELI-PLASI 2000 will be installed at the heliport site as per instructions contained in Section II.
2. Provide a nominal 120VAC electrical power to the selected site and temporarily wire power to the turntable so that the powered turntable may be operated.
3. Temporarily hook up electrical power connections from the powered turntable to the power source per paragraph 3.1.

Note: Components are shipped with temporary interconnect cables and connectors for initial checkout of the system. Permanent cables are installed after system components have been permanently installed.

4. At the control panel in the turntable itself, place the RADIO/OFF/MANUAL switch to "MANUAL", place the position switch to position "1" and then place the on/off power switch to "on". The table will rotate clockwise for less than one complete revolution and then stop. If the turntable has already had a heading programmed into position 1, the table will immediately turn counterclockwise to that heading.
5. In order to program a new heading for position 1, press the "SET POSITION" pushbutton. The green light above the pushbutton will illuminate, indicating that the turntable is in programming mode.

Note: The light will go out and the turntable will return to normal operation in 2 minutes unless the table position is jogged. Jog the table position with the "ROTATE CCW/CW" switch until the table is aligned with the desired



heading. Recheck to make sure that the position switch is set to position 1 then, with a screwdriver or other similar object, push the button behind the hole marked "MEMORIZE POSITION". The green light will go out and the turntable will now be programmed with the new position 1 heading. Set positions 2 through 4 the same way, but with the position switch set to the corresponding number. Since position 1 requires only 3 clicks on the radio controller, it should be set to the most used approach path heading. Remember that position 4 cannot be selected by radio control, only manually.

6. After positioning, and before permanently securing the turntable, it is necessary to ensure that the turntable is completely level. This is accomplished by adjusting the support and locking nuts on the mounting threaded rods/bolts on the turntable base at its mounting points.

Note: If the base is not level, inadvertent shutdown of the HELI-PLASI 2000 can occur due to activation of its safety tilt switch when the table rotates.

7. At the control panel in the turntable itself, place the RADIO/OFF/MANUAL switch to "MANUAL" .
8. Connect the control box to the turntable. The multi-pin connectors will only fit into the proper corresponding connectors.
9. Reconnect electrical power to the system, if it has been disconnected. At the remote control box, rotate the rotary switch to each of the preset approach headings in turn. The turntable will rotate and stop at each of the selected headings. Select the intensity settings and check for proper intensities. Turn electrical power off.

Note: The HELI-PLASI 2000 shuts off while turntable is in transit from one heading to the next and restarts when the turntable stops at the selected heading.

3.5 Aiming

3.5.1 Lateral Leveling of HELI-PLASI 2000

1. Remove outer shell.
2. Locate horizontal level between the two webs.
3. Adjust the nuts on the two front support legs (Point A in Figure 8) until the unit is level. Make certain that the spacers of the PLASI 2000 unit are resting on the lower adjusting nuts.
4. Tighten the two lower jam nuts on both front legs. Lightly tighten the upper nuts.
5. Unit is ready for vertical aiming.



3.5.2 Vertical Aiming

1. On the level arm tilt switch assembly located on the inside of the unit, set the zero index mark to the desired approach angle on the degree scale (Point C in Figure 16) by loosening the level arm clamp bolt and moving the level arm assembly.
2. Re-tighten the clamp bolt.
3. Adjust the vertical angle by adjusting the nuts on the rear support stud (Point B in Figure 15) until the bubble in the beam level (Point D in Figure 16) is centered.
4. Tighten the two lower jam nuts.
5. Tighten the upper nuts on each of the three support legs to 50 (plus or minus 10) inch pounds torque.
6. Recheck the horizontal and lateral bubble levels. Readjust, if required.
7. On HELI-PLASI 2000 models, a vernier scale system has been incorporated into the Level Arm/Tilt Switch assembly to permit finer settings of the approach angle. The level arm contains a vernier scale which is graduated into .020 degree increments, which permits angular settings as small as 1.2 minutes accuracy (see Figure 17). The main scale is divided into .2 degree increments. Therefore, if the zero degree markings on the sliding vernier is used as the index mark, the degree settings can be set to .2 of a degree. For finer settings to an accuracy of .020° (1.2 minutes), the vernier scale is utilized.
8. When utilizing the vernier in a measuring position where the zero degree mark on the sliding vernier scale is not exactly in line with a division line on the main degree scale, the graduation value just preceding the zero mark must be supplemented with the value of the vernier indications. This latter value is displayed as the number of that single vernier line, which exactly coincides with the graduation line on the scale. In the Figure 17 illustration, that line of the vernier is the seventh division (as indicated by starred area), resulting in a combined indication value of 7.68° (7° plus 0.6°, plus four .020°graduations, or .08°, giving a total of 7.68°).
9. If it is necessary to set an approach angle of between 10° and 12°, then the upper portion of the vernier scale is used for the measurement (Figure 17). In this case, then the upper 10 division mark is used as the zero index point and the readings are measured from the upper 10 mark to the zero mark.

3.5.3 Checking Accuracy of HELI-PLASI 2000 Projection

Experience has shown that the PLASI 2000, HAPI-PLASI 2000 and, therefore, HELI-PLASI 2000 does not have to be flight checked. The HELI-PLASI is a single



box system which maintains its approach angle and the various flight sectors (flashing white, steady white, etc.) are mechanically locked in place.

In multiple box systems, the approach sectors are dependent upon the relationship of one box with respect to the other boxes, any one of which can move, thereby modifying the signal. While the tilt switch is a controlling factor with regard to the operation of the HELI-PLASI 2000 and limits the movement of the system to the tilt switch settings, there is another more important check on the approach angle which should be made. Ensure when leveling the system that the bubble is centered for each of the approach directions with the unit set and locked at the approach angle selected. Since the sectors are automatically set in the HELI-PLASI 2000 and are not dependent on their relation to another box. It is only necessary to check that the bubble is centered for the approach angle established. This can be checked periodically on the HELI-PLASI 2000 by checking during lamp changes or at any time the unit is inspected.

Nevertheless, the appropriate controlling civil aviation agency may require some type of flight check.

3.6 Operational Check and Final Adjustment

3.6.1 Lamp Installation

CAUTION: WHEN OPENING SOCKET, DO NOT ALLOW CLAMP TO SNAP CLOSED.

1. Open socket.

CAUTION: WHEN HANDLING LAMPS, DO NOT TOUCH GLASS SURFACE. BODY CHEMICALS CAUSE GLASS LAMP ENVELOPE TO BECOME OPAQUE. HANDLE WITH CLEAN CLOTH OR GLOVES. IF TOUCHED, CLEAN GLASS WITH ALCOHOL OR SIMILAR CLEANING AGENT.

2. Install new BVA (900W, 120V) lamps. Pull Socket lever closed to secure.

3. Reset lamp table by rotating table clockwise until Number 1 lamp is in the operating position.

3.6.2 Inspection

1. Inspect the HELI-PLASI 2000 supports to ensure that they are installed in accordance with the drawing and that all mounting bolts are tight.

2. Check electrical connections to ensure that they are tight and correct.

3. Inspect optical surfaces for cleanliness. The front window is subject to soil from external sources. Clean optical surfaces with standard glass cleaning solutions and dust with lint free tissues or cloth.



4. Check that lamps are properly installed (See paragraph 3.6.1) and that No. 1 lamp is in operating position.

3.6.3 Operation

1. Pull the 10 amp circuit breaker to its "off/open" position. Figure 14.
2. Turn "On/Off/Remote" switch to the "off" position in HELI-PLASI 2000. Figure 14.
3. Apply the main power to the unit by closing the switch controlling power at the basic power source for the HELI-PLASI 2000.
4. Check line voltage at HELI-PLASI 2000 to insure correct voltage is being applied to the unit. Test across 120VAC (Red) and Neutral (Black). See Figure 18.
5. If voltage is correct (120VAC +/-10%), close the circuit breaker.
6. Place the on/off/remote switch in the desired position. Switch shall be in "On" position for direct on/off control at the HELI-PLASI 2000 unit, or in "Remote" position if HELI-PLASI 2000 is being controlled by remote wire or radio control.
7. Select desired daytime lamp voltage at the voltage limiter, either 100 volts (long lamp life setting) or 108 volts (higher intensity for longer day time range).
8. If night dimming intensity requires adjustment, go to section IV.
9. Replace the outer shell.

3.7 HELI-PLASI 2000 System Operational Controls

Operational control requirements for HELI-PLASI 2000 vary depending upon the manner in which the heliport desires to use the unit. The location of the radio receiver controller and manual control unit is optional. They may be located adjacent to the HELI-PLASI 2000 or at some alternate convenient location. The manual control unit will normally be installed in the control tower or operations office. If these are located more than 100 meters from the HELI-PLASI system, the extended control cable modification option must be ordered.

3.7.1 Manual Control

For continuous 24 hour operation, manual "on/off" control of the HELI-PLASI 2000 is provided directly at the unit by means of a selector switch. The HELI-PLASI 2000 "ON/OFF/REMOTE" Control Select Switch shall be in the "ON" position for this type of on/off control. The night dimming feature is automatic.



3.7.2 Remote Manual Control

Manual remote control of HELI-PLASI 2000 "on/off" function by wire, or by radio remote control is available as an add on option.

Remote "on/off" control of HELI-PLASI 2000 by wire can be accomplished by means of the Remote Control Box for operational control from an airport tower or operations office.

With the manual remote system wired into the HELI-PLASI 2000 control circuitry, the "ON/OFF/Remote" Control Select Switch must be placed in the "Remote" position.

SECTION IV - FEATURES

4.0 HELI-PLASI 2000 Standard Features

4.1 Voltage Limiter

The "voltage limiter II", part number DA1293-1, provides the projector lamp in use with a daytime stabilized voltage of 100 volts or 108 volts. The heliport operator selects the 100 volt or 108 volt setting at the time of installation. The selection is made by switching a small toggle switch located inside the HELI-PLASI 2000 unit on the top left hand side of the voltage limiter. (see Figure 7a)

The 100 volt setting would be used at a heliport with a short final approach (under two miles). The 100 volt setting will more than double lamp life. If this lower setting is selected, a flight evaluation should be conducted under sunny conditions to ensure that the HELI-PLASI 2000 signal is still adequate in range for the particular heliport approach conditions.

The voltage limiter also provides for adjustment of the system's night dimming intensity.

4.2 Automatic Night Dimming

The HELI-PLASI 2000 unit is equipped with a photo sensor to provide automatic dimming for night time operation. The photo sensor is mounted in the base plate facing down at about the center of the unit.

The night voltage has been preset at the factory. If local conditions dictate an increase or decrease in night intensity, the lamp voltage may be adjusted at the voltage limiter (Figure 7a). Sufficient approaches should be flown at night to determine the proper night voltage setting for local environment.

Note: Daytime lamp voltage may be checked at "Lamp" test point, but daytime lamp voltage is not adjustable, only selectable between 100volts and 108 volts.



Adjustment:

1. Locate the potentiometer R116 on the voltage limiter Figure 7a.
2. Trigger the photocell to night operation by covering the photocell unit. The photocell is time delayed, therefore, it will take 45 to 75 seconds for the unit to trigger down.
3. Place a set of voltmeter test leads across the red (TPJ-3) and the white (TPJ-2) test points on the "Voltage Limiter II" unit (Figure 7a).
4. Adjust the R116 potentiometer to the desired voltage or lamp brightness. Do not adjust below 48 Vrms.
5. Remove cover from the photocell.

4.3 Tilt Switch

If the unit is knocked out of alignment the tilt switch is activated and shuts down the unit. This results in complete loss of signal with no hazard. The tilt switch is pre-set at the factory and requires no adjustments.

4.4 Pulse Detector

As part of the failsafe system, the HELI-PLASI 2000 unit is equipped with pulse detectors which monitor the signal generating shutter chains. If the upper or lower shutter chain fails, the HELI-PLASI 2000 unit shuts down.

4.5 Automatic Lamp Changer

The automatic lamp changer rotates the lamp table and a new lamp into place in approximately two seconds, if the one in use should fail. The lamp table holds four lamps.

4.6 Heaters

The Heaters, which consist primarily of six 35 watt heaters installed inside of the HELI-PLASI 2000 unit (Figure 19), maintain components of the HELI-PLASI 2000 at operating temperatures during periods when the HELI-PLASI 2000 is used only intermittently, and when ambient temperatures are near or below freezing levels. This permits the HELI-PLASI 2000 to operate immediately upon "turn on" by remote control signal and eliminates any need for a "warm-up" period for the unit. When ambient temperatures inside the HELI-PLASI 2000 are above 45°F, the heating system is not required and the control module turns off the heaters. When the temperature drops to below 45° F, the heater system will again operate.



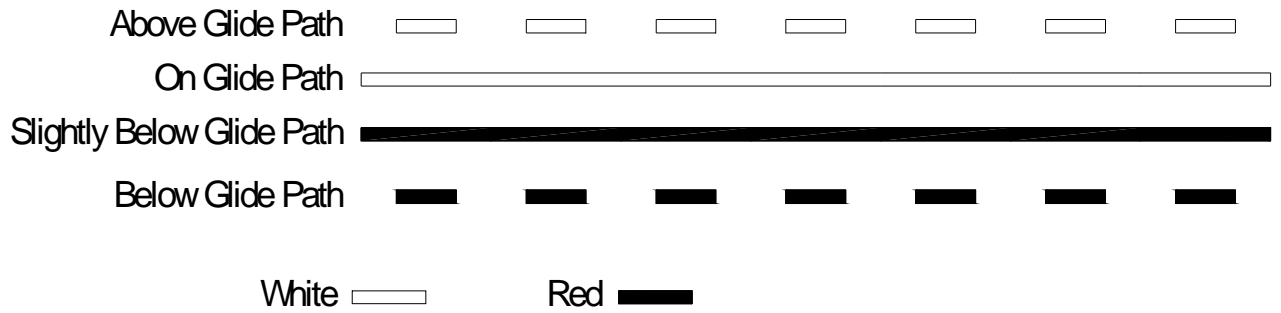


Figure 1 Signal Format



Signal (Beam) Angle
 Width 16° minimum
 Height Above Course Signal: Pulsing white light 2.5°
 On Course Signal: Steady white light .60°
 Below Course Signal: Steady red light .30°
 Well Below Course Signal: Pulsing red light 5.0°

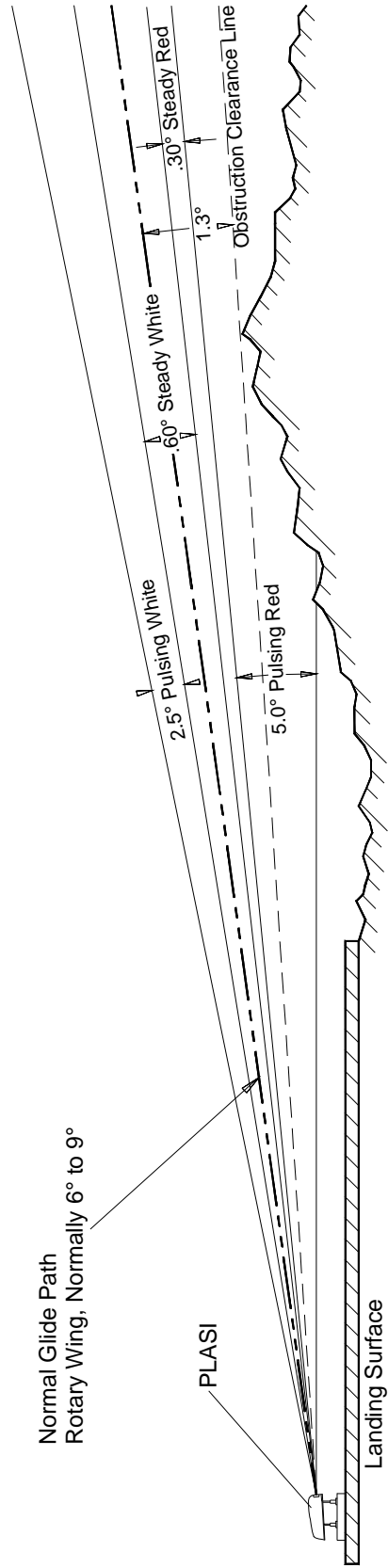
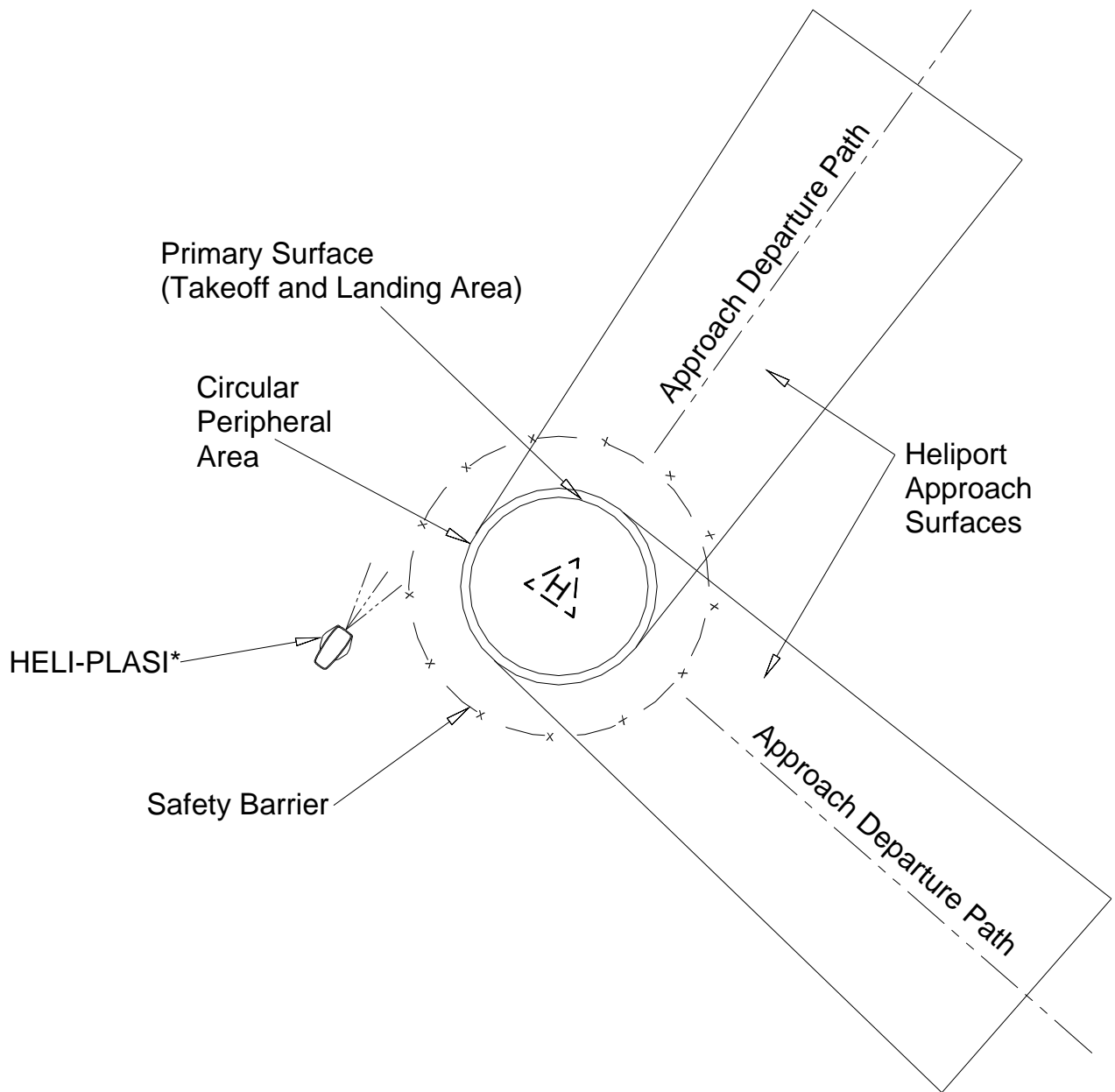


Figure 2 HELI-PLASI Signal Projection





*HELI-PLASI is mounted on a rotatable base and may be aligned to either approach

Figure 3 Typical HELI-PLASI Installation at Airport



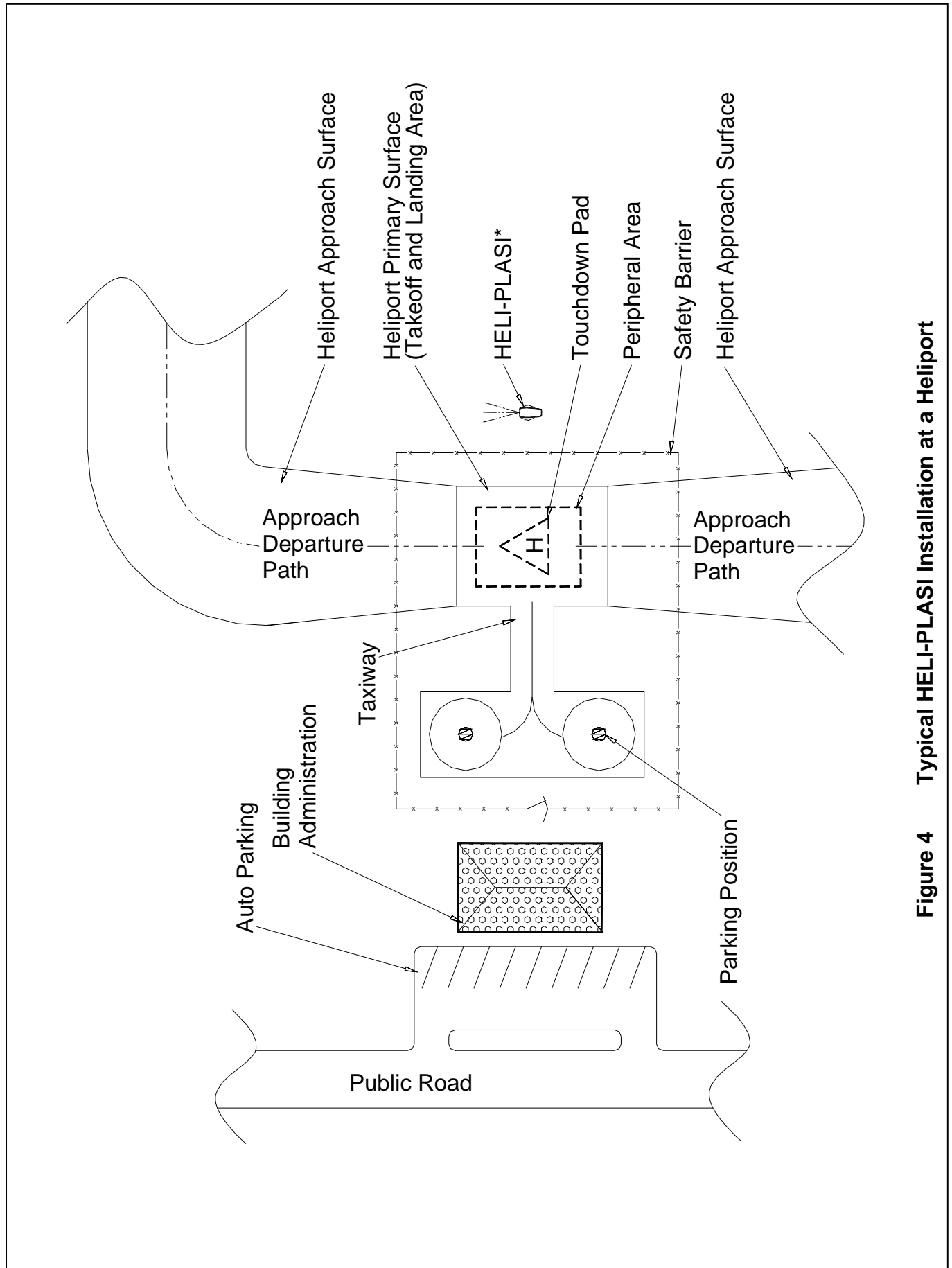


Figure 4 Typical HELI-PLASI Installation at a Heliport



Example:
 Power Source distance to PLASI is 1000 feet
 2 AWG wire required without B/B transformer
 10 AWG wire may be used with B/B transformer

Chart based on:

1600 Watts
 13.3 Amps @ 120 Volts
 Voltage drop at regulator 5% of line nominal

Buck/Boost transformer capable of increasing line voltage by 25 Volts

INSTALLATION MUST BE MADE IN ACCORDANCE WITH LOCAL ELECTRICAL CODES

Note: This data based upon PLASI I power consumption but is also applicable to PLASI 2000

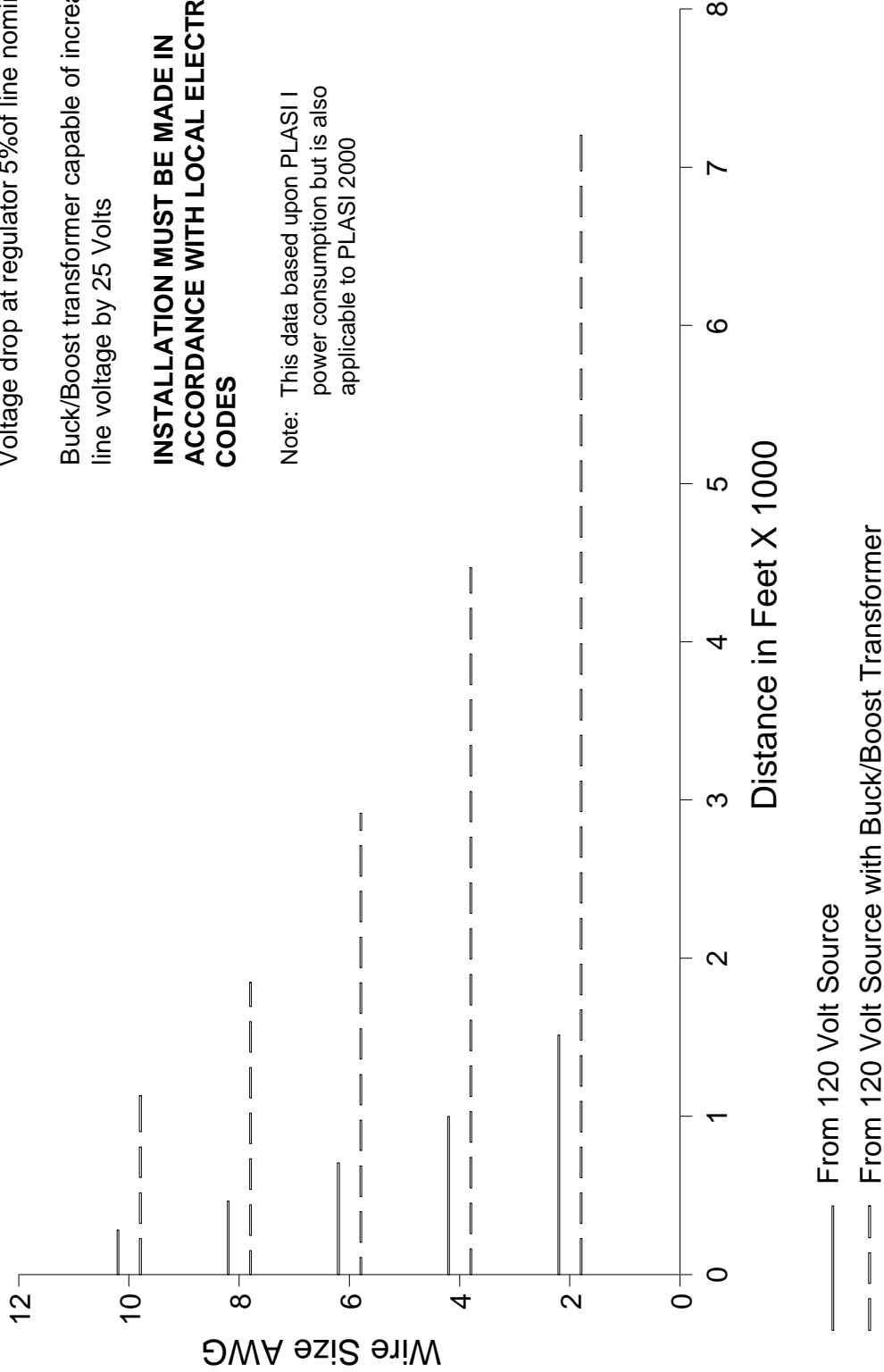


Figure 5 HELI-PLASI 2000 Electrical Installation Recommended Wire Size from 120 VAC Source



Chart based on:

1600 Watts
6.7 Amps @ 240 Volts
Voltage drop at regulator 5% of line nominal

Buck/Boost transformer capable of increasing line voltage by 25 Volts

INSTALLATION MUST BE MADE IN ACCORDANCE WITH LOCAL ELECTRICAL CODES

Note: This data based upon PLASI I power consumption but is also applicable to PLASI 2000

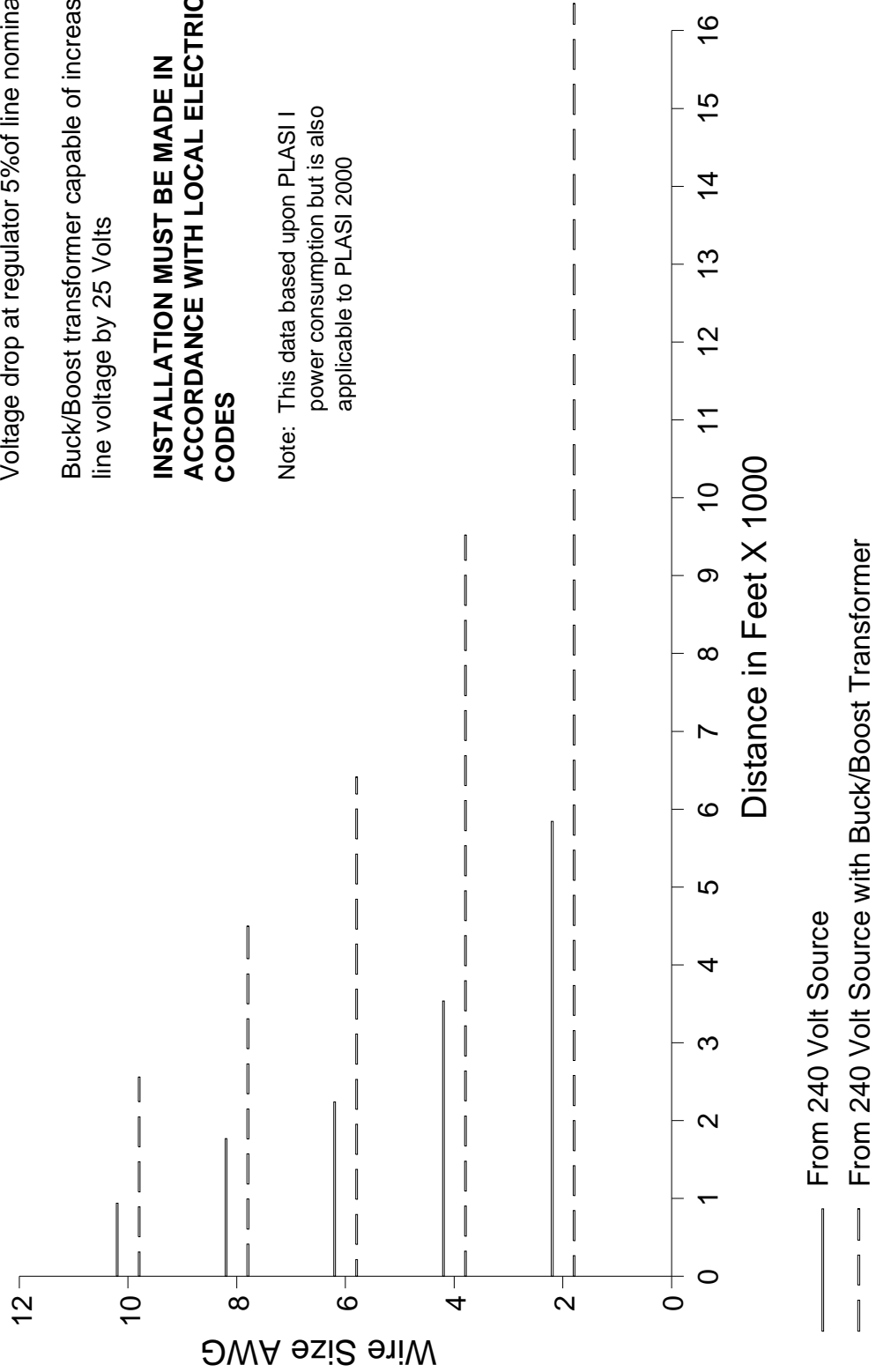


Figure 6 HELI-PLASI 2000 Electrical Installation Recommended Wire Size from 240 VAC Source



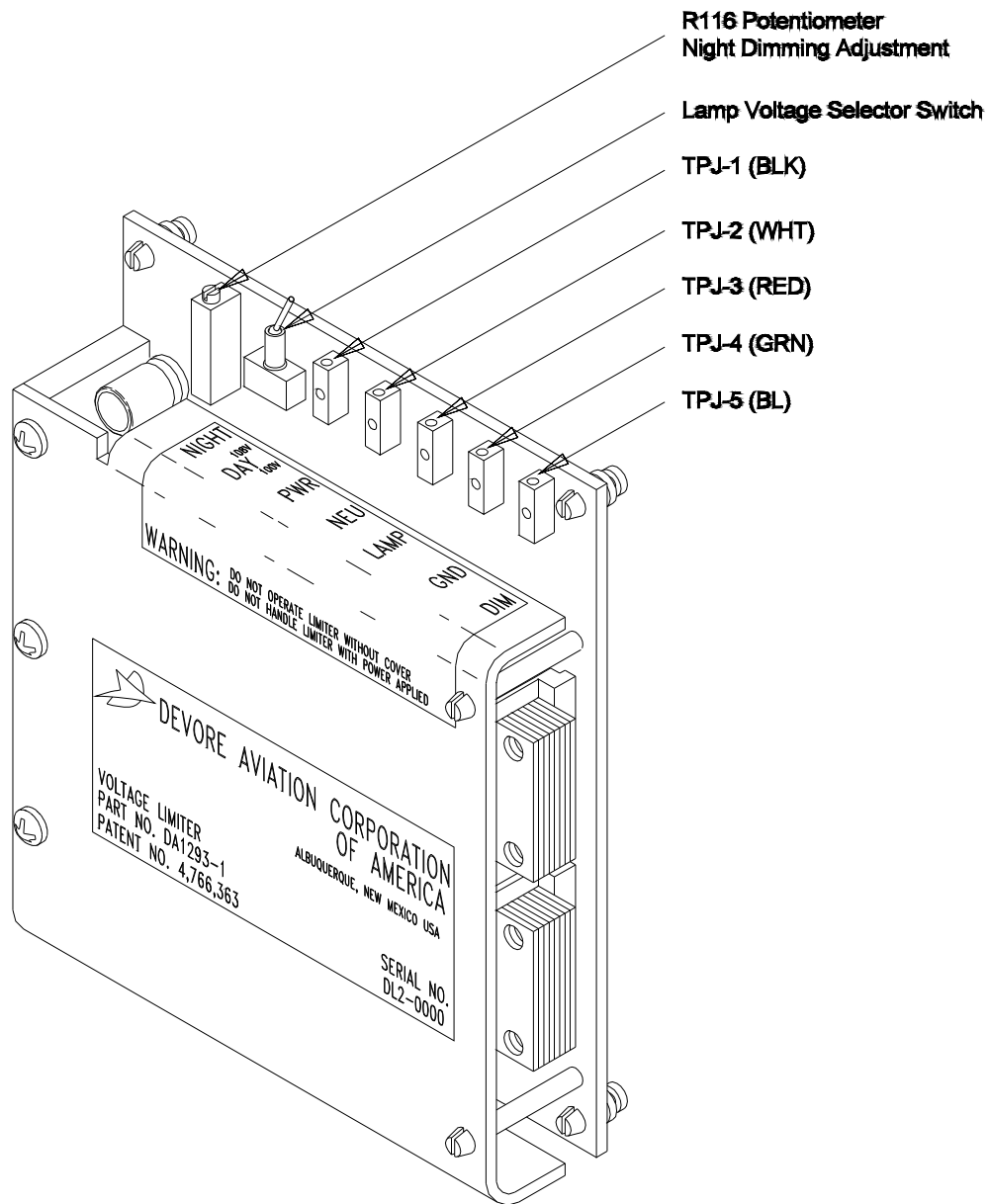


Figure 7a Voltage Limiter



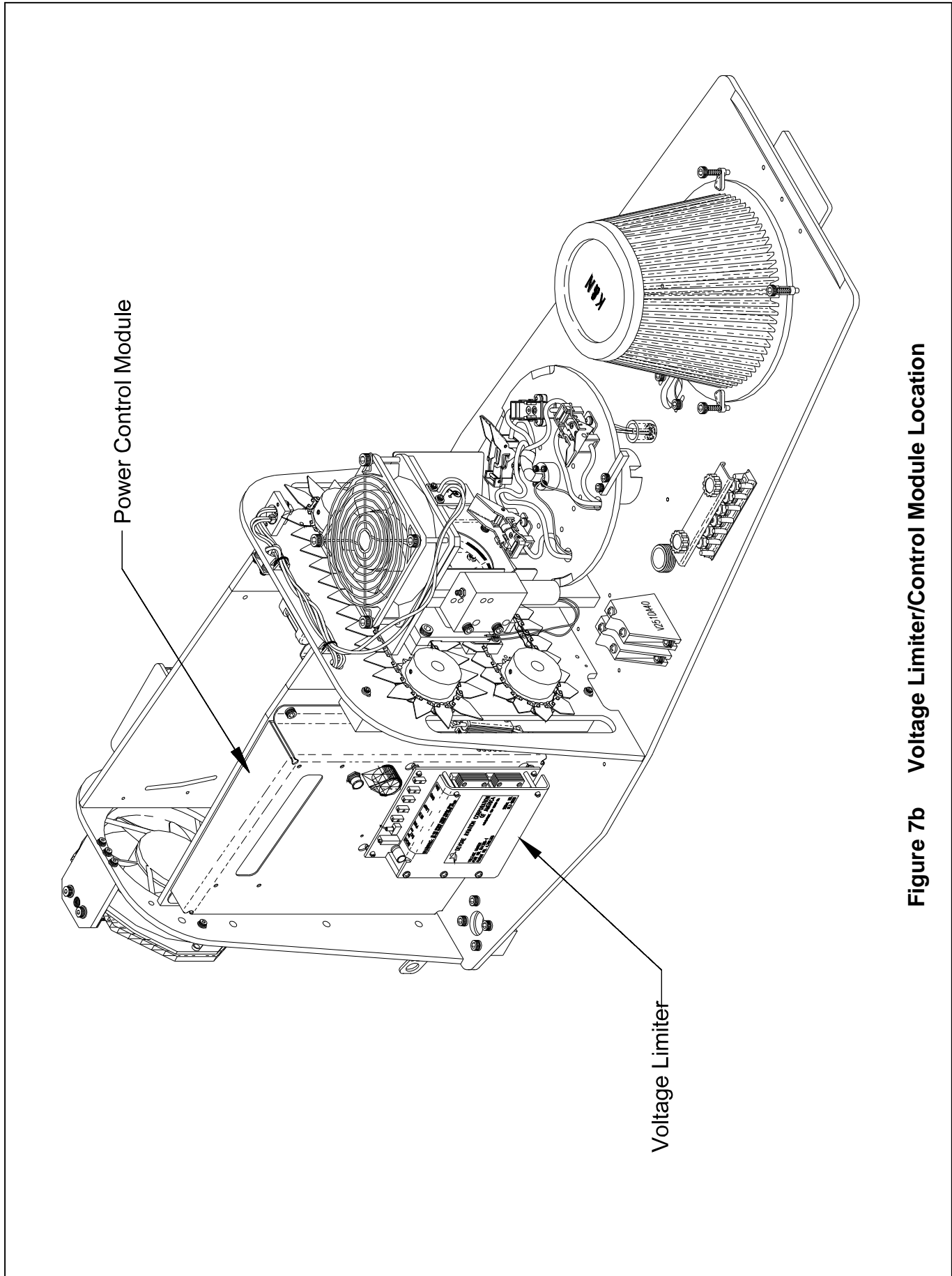


Figure 7b Voltage Limiter/Control Module Location



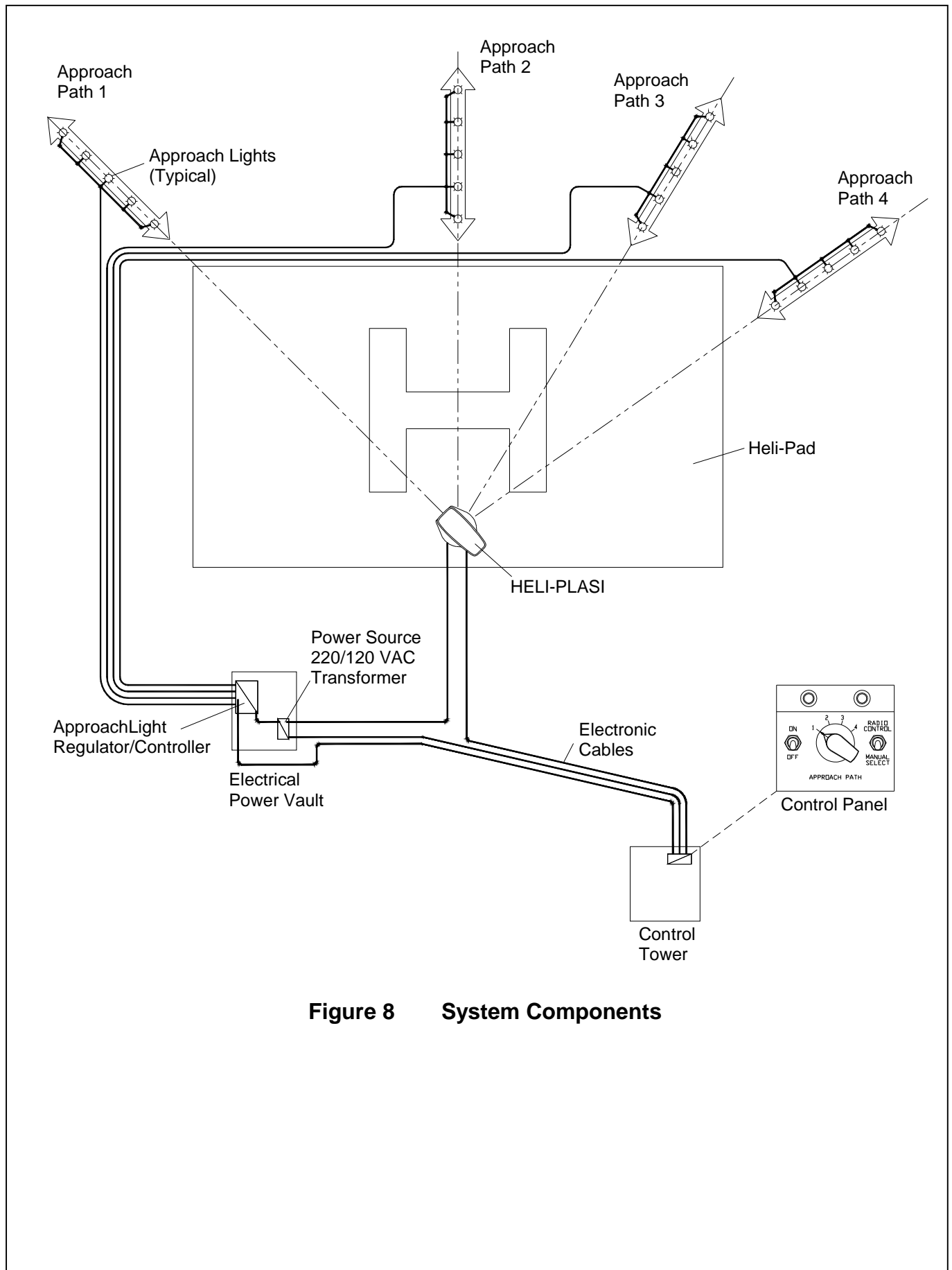


Figure 8 System Components



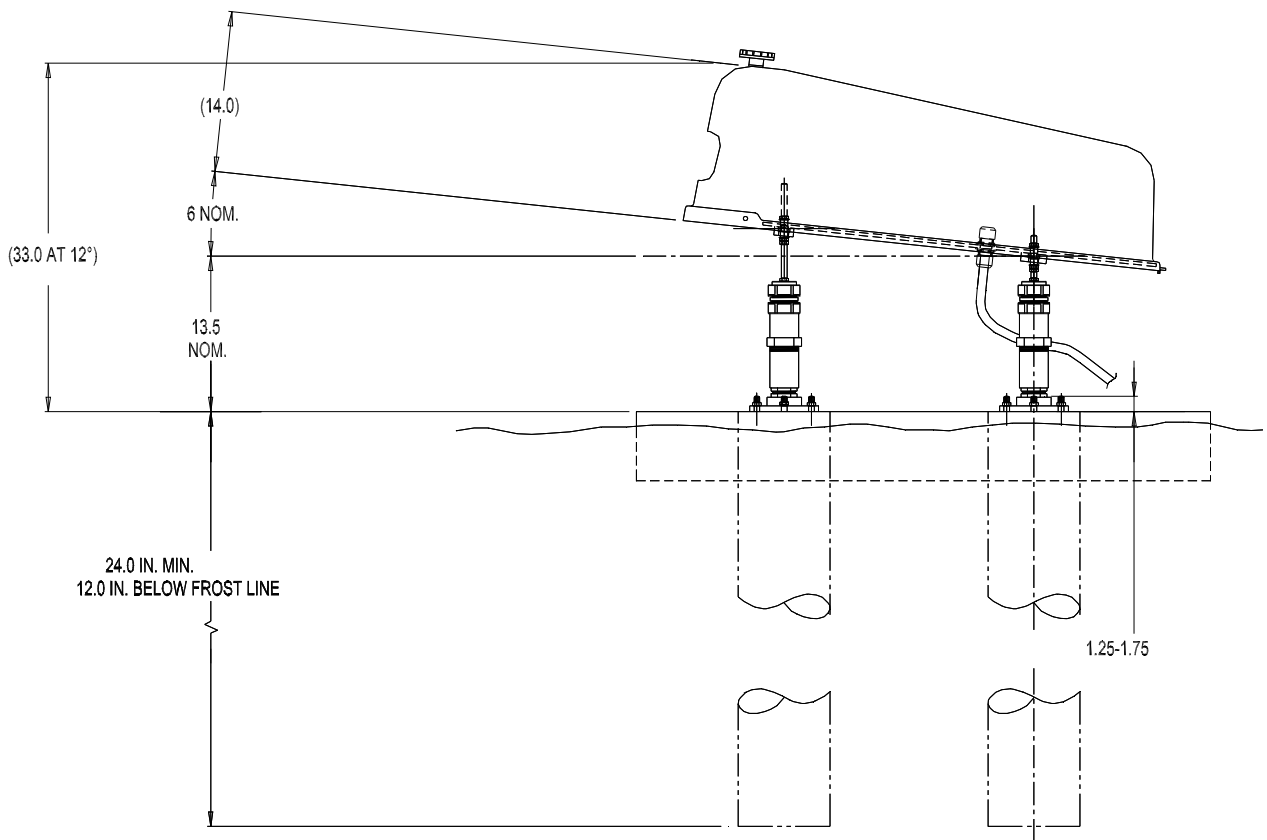
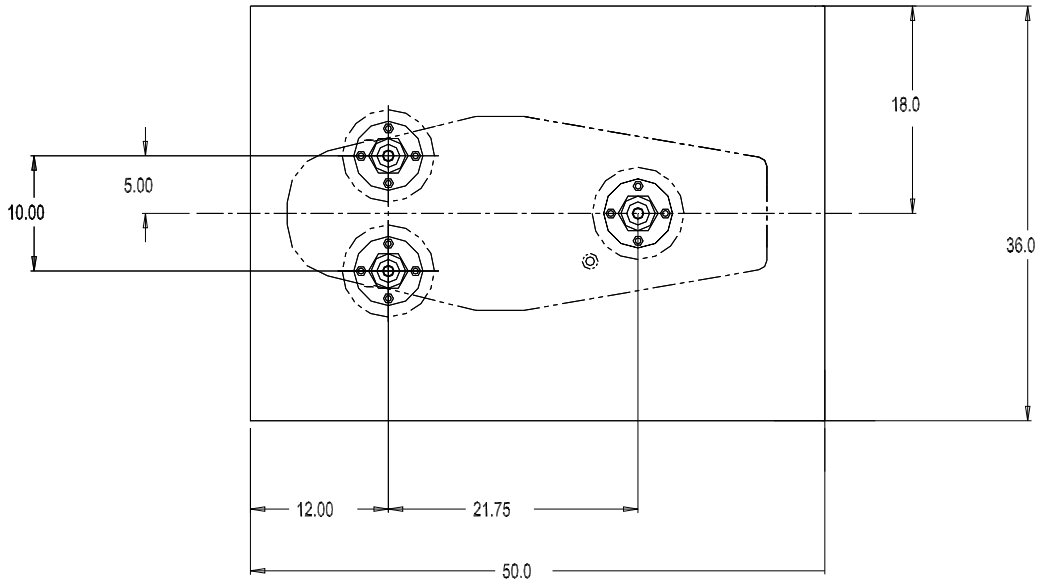
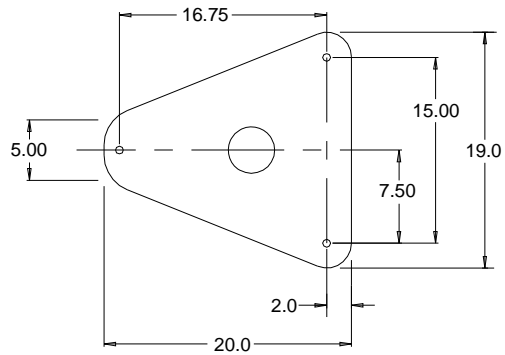


Figure 9 HELI-PLASI 2000 System Installation (Pad Mount)





PLAN VIEW SHOWING DIMENSIONS OF BASE
PLATE AND MOUNTING HOLE LOCATIONS

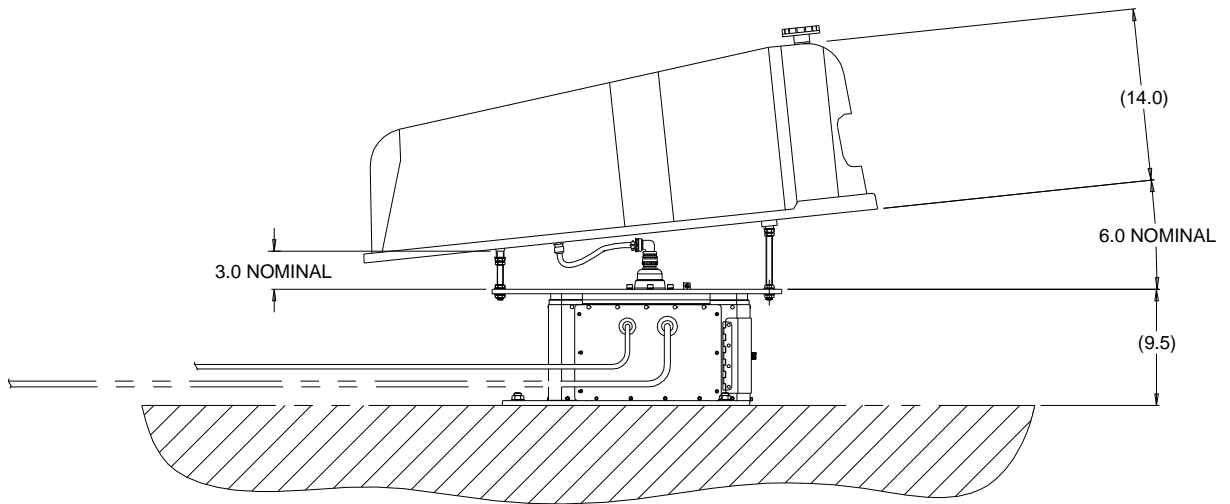


Figure 10 HELI-PLASI 2000 System Installation, (Turntable)



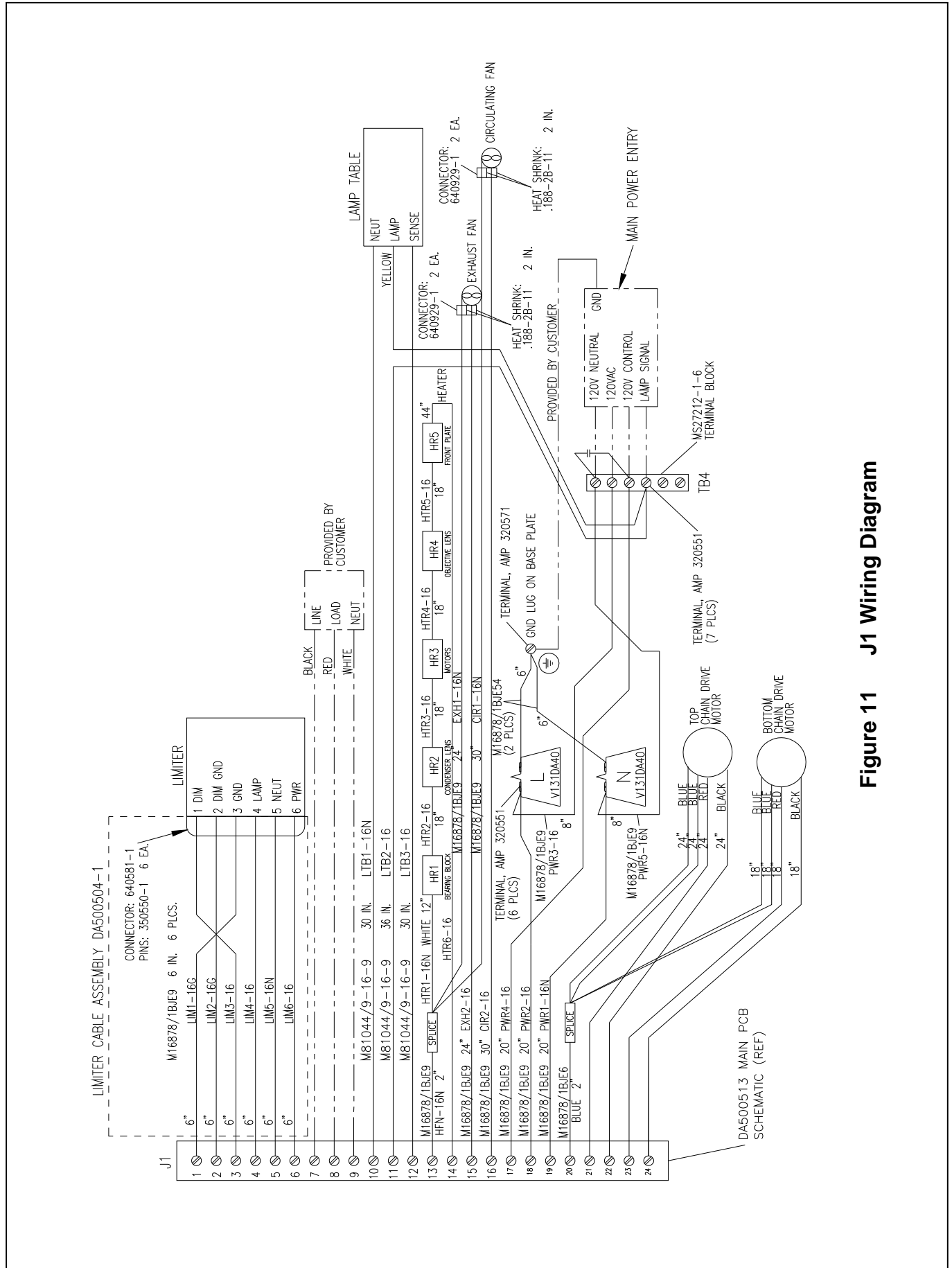


Figure 11 J1 Wiring Diagram



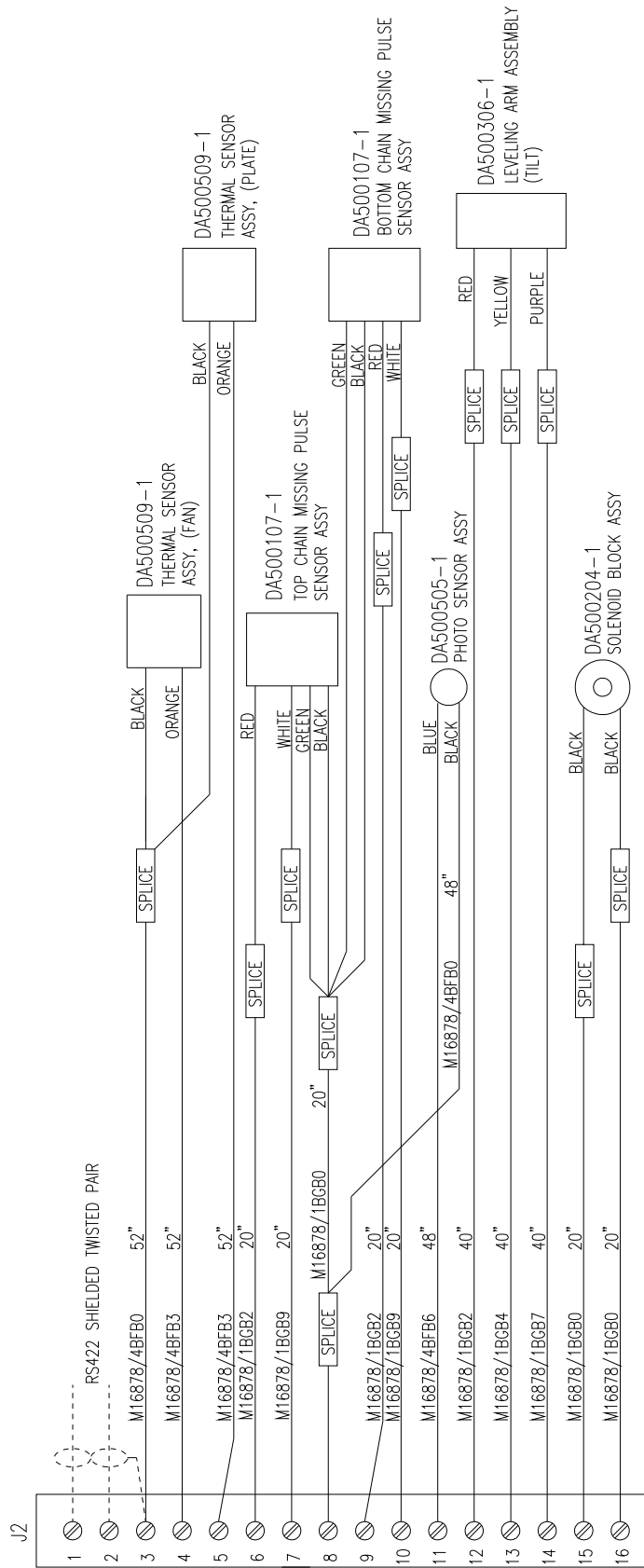


Figure 12 J2 Wiring Diagram



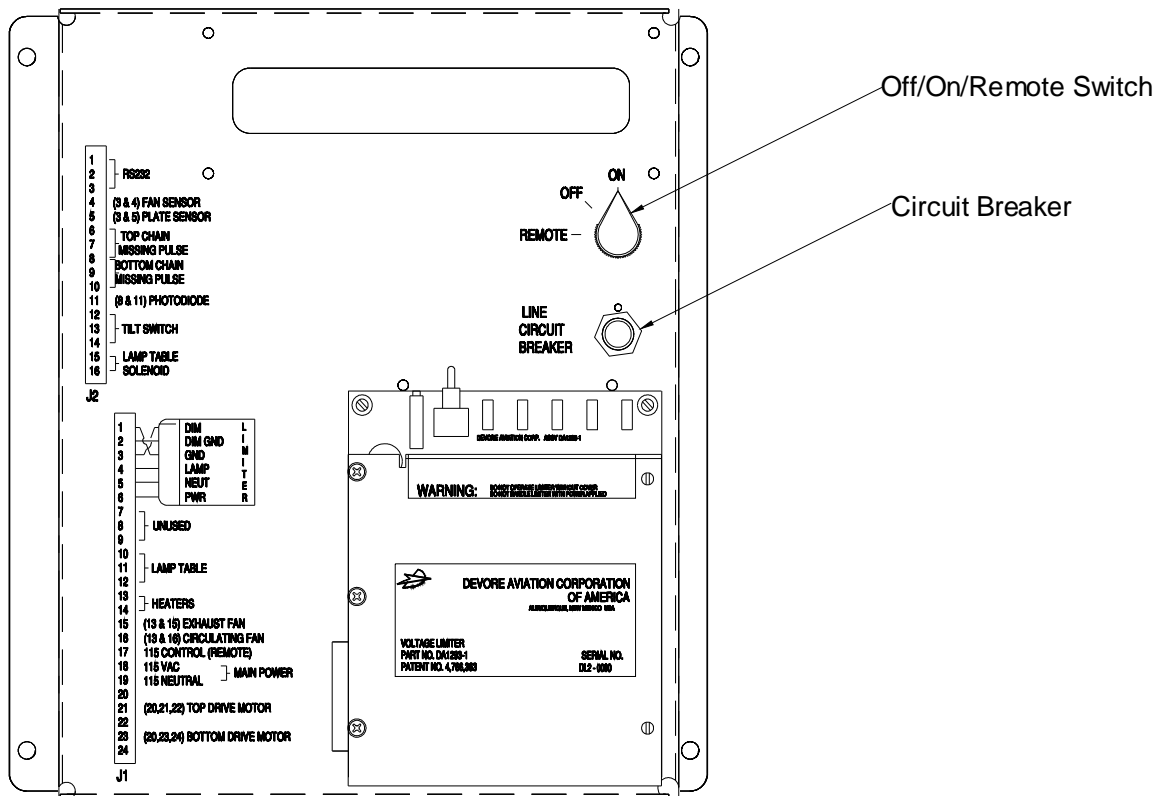


Figure 14 HELI-PLASI 2000 Control Panel



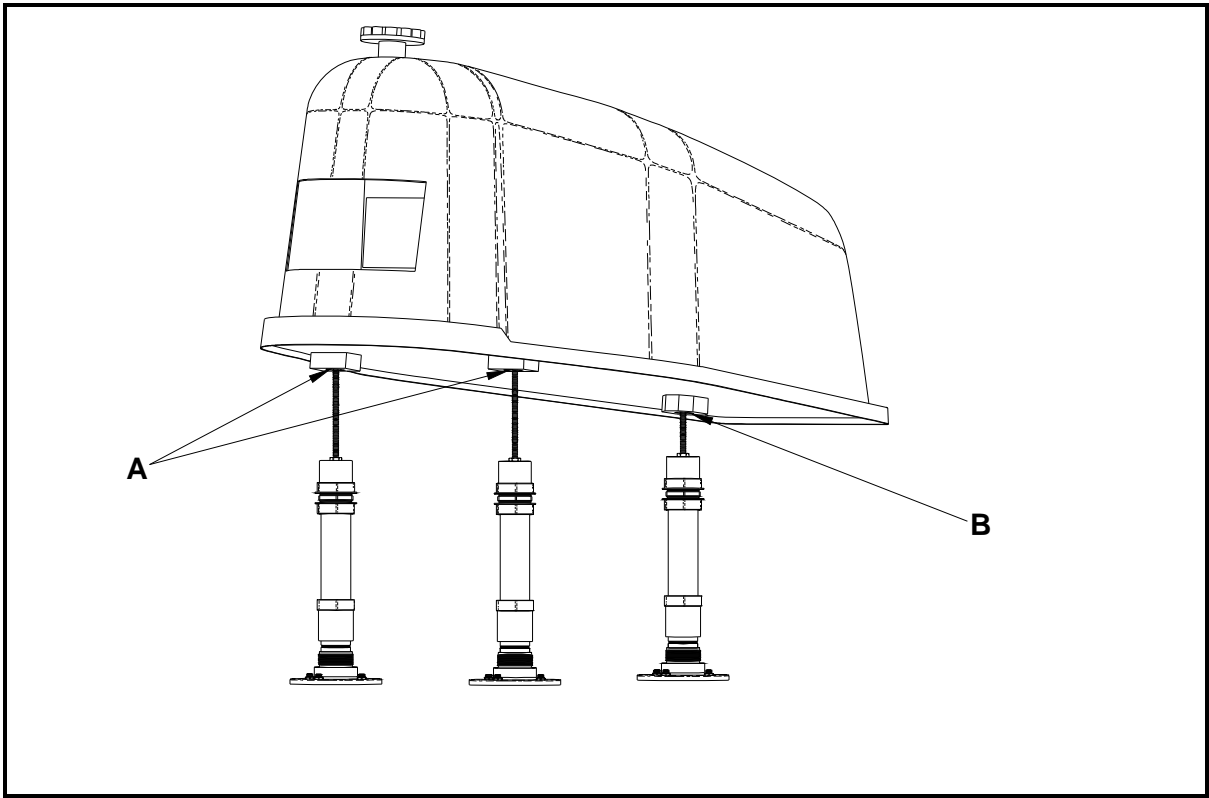


Figure 15 Aiming, Lateral and Vertical

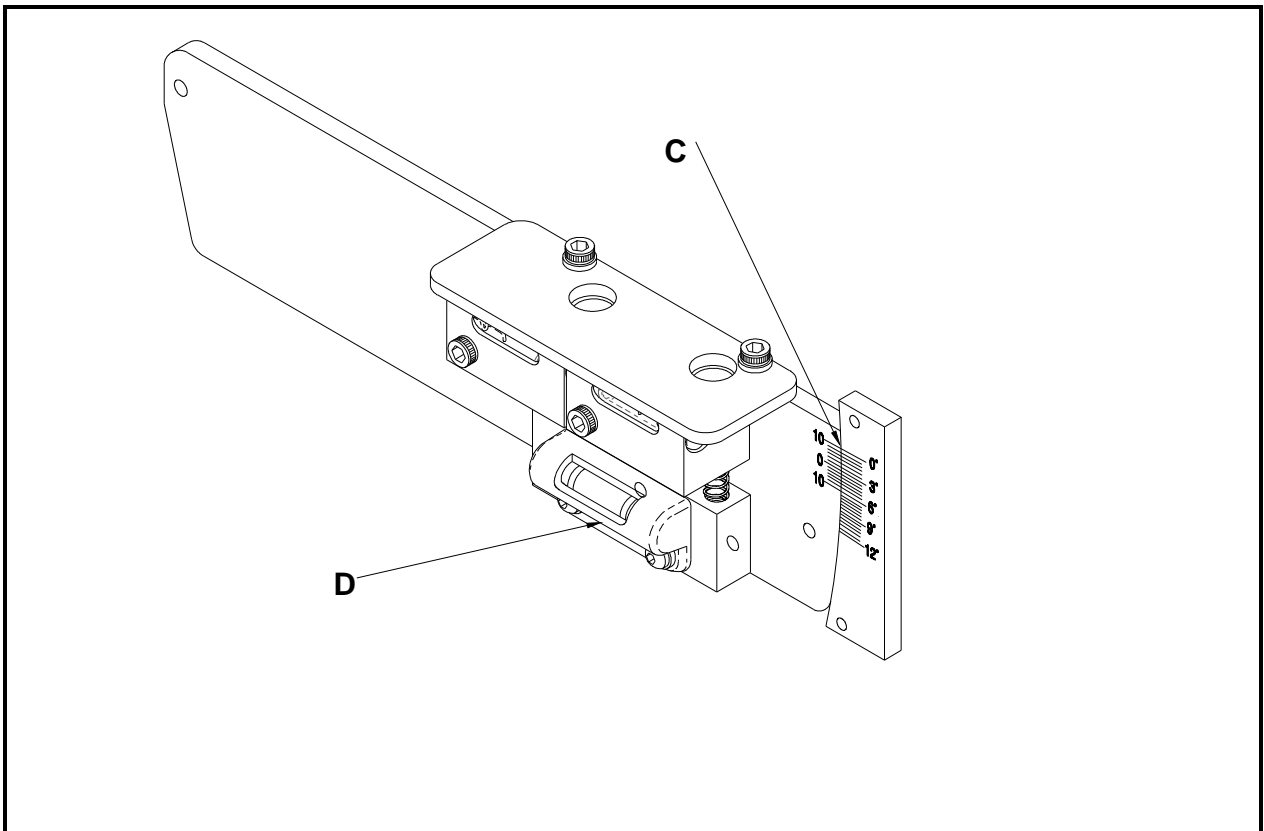


Figure 16 Aiming, Bubble Level and Vernier Scale



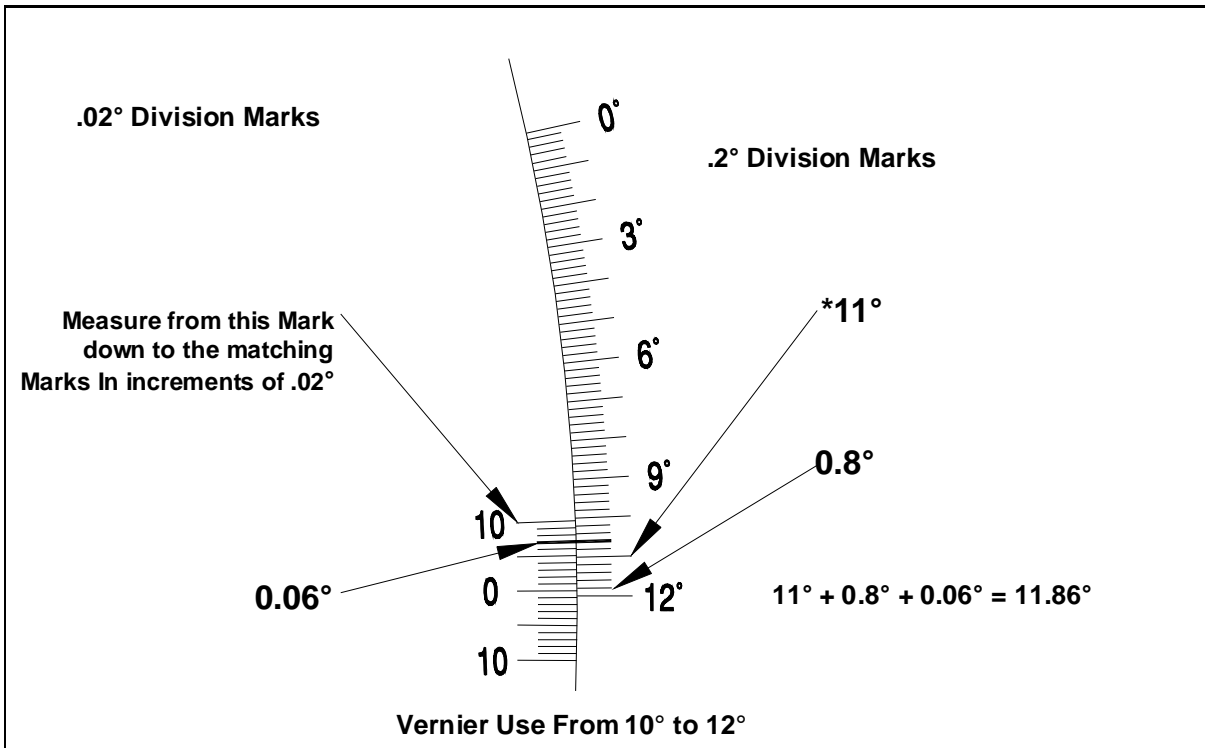
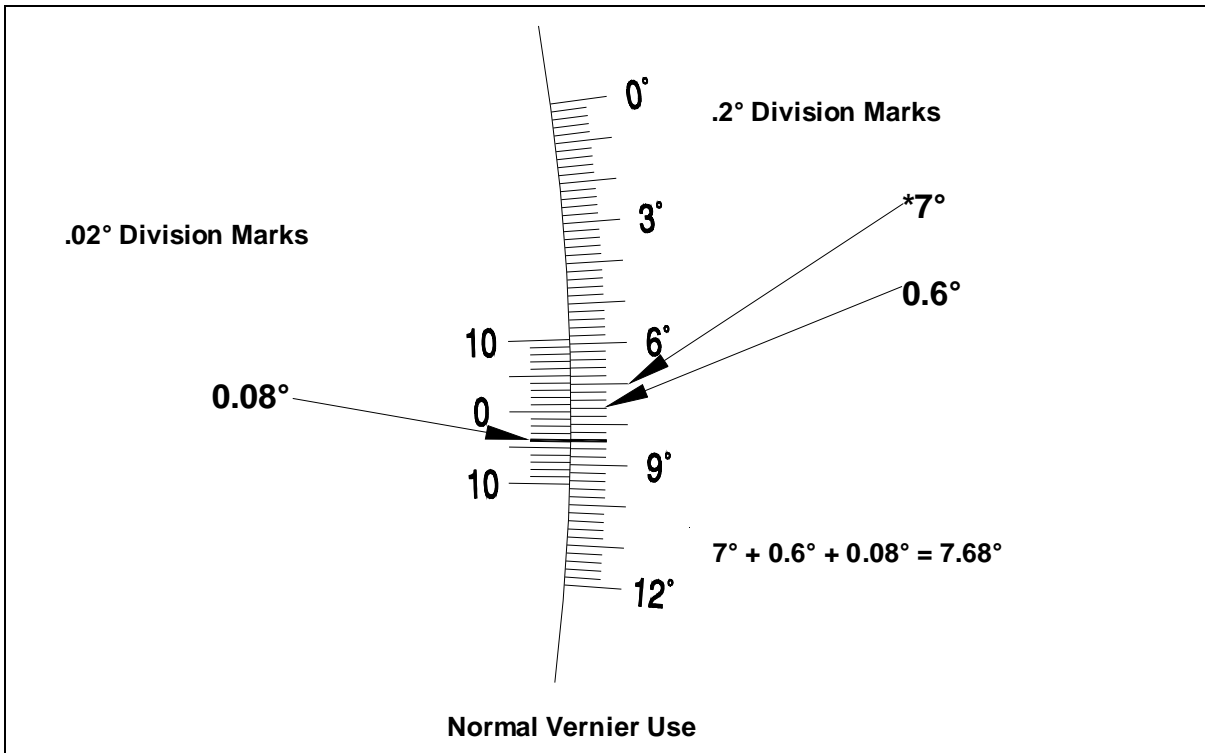


Figure 17 Aiming, Vernier Scale



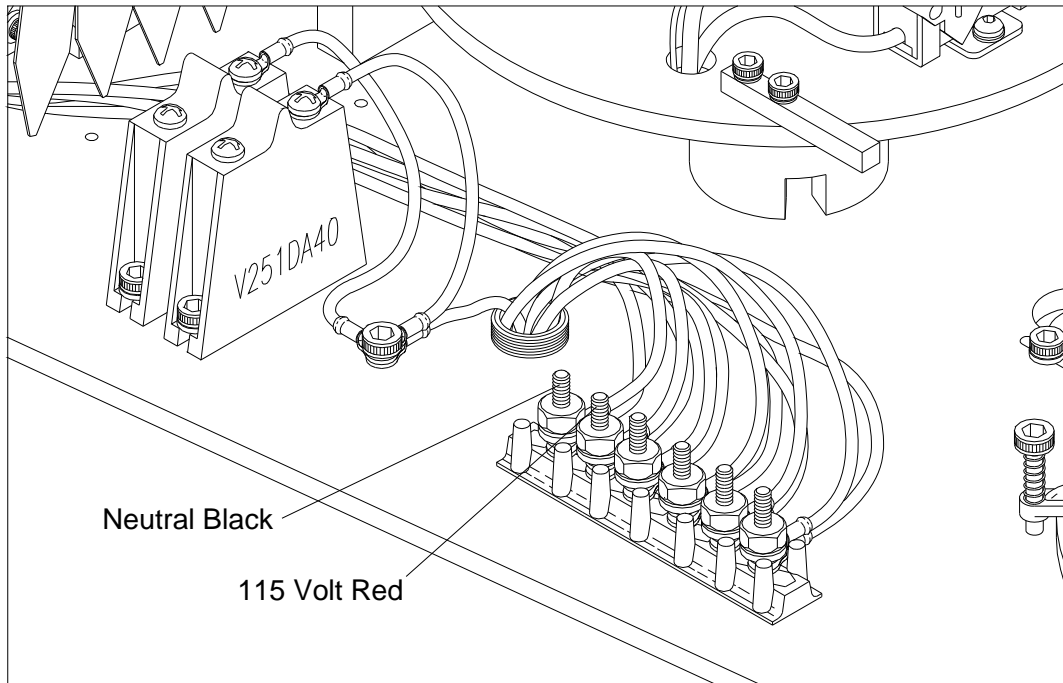


Figure 18 Voltage Test Positions



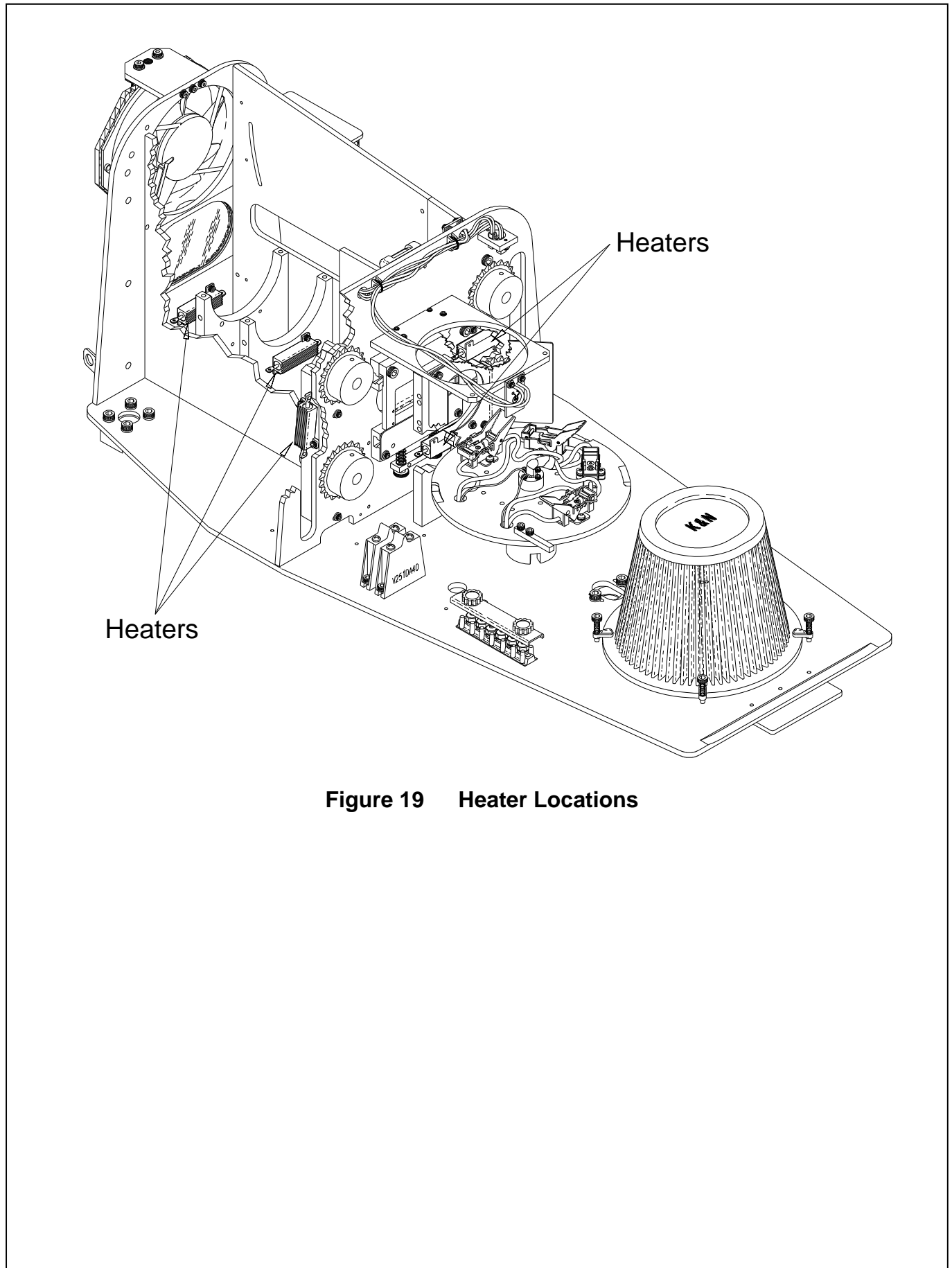


Figure 19 Heater Locations

